

# AMJ-S DD Module Cat.6A and corresponding Packaging Sets

The new AMJ-S DD Module offers users an easy way to protect expensive and mobile IT equipment having LAN access ports from damage.

By means of its reduced pull-out force jack design, the AMJ-S DD Module first releases a connection between a patch cord and an IT device once a certain pull-out force in the mating direction is reached. This prevents damage of expensive boards or destructed jacks of the IT equipment. Expensive repairs are now a thing of the past. Even though the jack is designed to feature a lower pull-out force than the standard specification IEC 60603-7 for RJ45 jacks and plugs foresees, it still offers enough insertion and retention force to prevent accidental release.

### Application Examples



AMJ-S DD Module as part of modular furniture faceplates


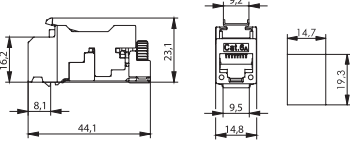
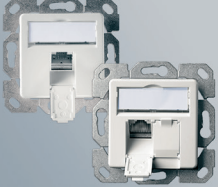
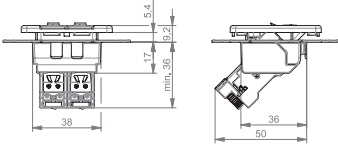

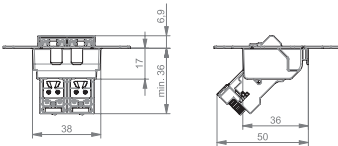


AMJ-S DD Module as part of generic structured cabling

### Performance Characteristics

- Cat.6A, IEC 60603-7-51
- 10 Gigabit Ethernet acc. to IEEE 802.3an
- IDC termination (solid: AWG26-22/1; stranded: AWG27-22/7)
- Robust zinc diecast housing with 360° shield for secure data transmission regardless of outside electrical interference
- field assembly on site; without special tool

- defined retention force of the RJ45 jack to release connection once a certain pull-out force in the mating direction is reached
- suitable for RJ11/RJ12/RJ45 plugs
- design capable to fit the switching programs of all well-known switching manufacturers
- optional retrofit dust cover flaps

Modules	Order no.	Description	Remarks	PU
 	J00029A4000	AMJ-S DD Module Cat.6A T568A	tool-free connectivity, suitable for RJ45/11/12 plugs; integrated protection against damage of contacts by means of automatic defined release of connection	12
	J00029A4001	AMJ-S DD Module Cat.6A T568B	tool-free connectivity, suitable for RJ45/11/12 plugs; integrated protection against damage of contacts by means of automatic defined release of connection	12
Packaging sets for generic structured cabling	Order no.	Description	PU	
 	J00020A0520	module carrier AMJ-S single gang UP/50 alpine white incl. 1 AMJ-S DD Module Cat.6A T568A	5	
	J00020A0521	module carrier AMJ-S single gang UP/50 alpine white incl. 1 AMJ-S DD Module Cat.6A T568B	5	
	J00020A0522	module carrier AMJ-S double gang UP/50 alpine white incl. 2 AMJ-S DD Modules Cat.6A T568A	5	
	J00020A0523	module carrier AMJ-S double gang UP/50 alpine white incl. 2 AMJ-S DD Modules Cat.6A T568B	5	
 	J00020A0524	module carrier AMJ-S single gang UP/0 flex, design capable incl. 1 AMJ-S DD Module Cat.6A T568A	5	
	J00020A0525	module carrier AMJ-S single gang UP/0 flex, design capable incl. 1 AMJ-S DD Module Cat.6A T568B	5	
	J00020A0526	module carrier AMJ-S double gang UP/0 flex, design capable incl. 2 AMJ-S DD Modules Cat.6A T568A	5	
	J00020A0527	module carrier AMJ-S double gang UP/0 flex, design capable incl. 2 AMJ-S DD Modules Cat.6A T568B	5	