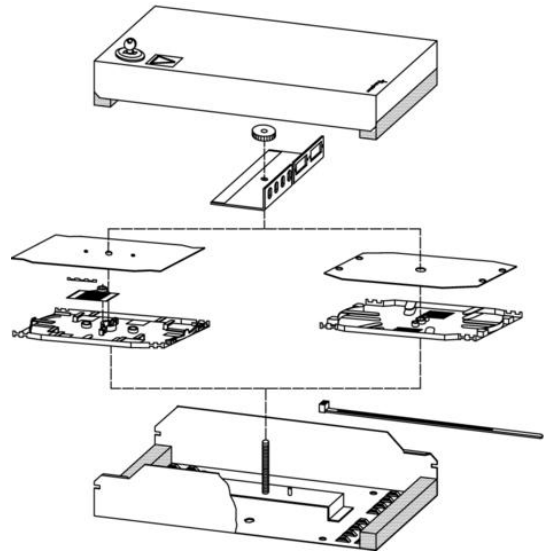


order number: H02050A0013

FO Compact Splice Box



Technical Attributes	
Description	FO Compact Splice Box
Remarks	Housing with lockable cover, with 2 cable entry openings for incoming and outgoing cables to be fixed by cable ties, with sealing straps, for storage of 4 splice cassettes maximum or 1 cassette and 1 distribution plate.
Dimensions	265 x 150 x 55 mm

Product description

Fiber optic wall boxes and splice boxes by Telegärtner offer a maximum amount of ports using a minimum of space. Based on Telegärtner's decades of experience, they offer easy and reliable patching even in high density applications.

Performance Characteristics

- One splice cassette and distribution plate
- alternatively 4 splice cassettes without distribution plates
- with lockable cover

Mechanical Characteristics	
Housing	sheet steel 1 mm, powder-laminated, light grey RAL 7035

Distribution plates	aluminum sheet 1,5 mm, powder-laminated, light grey RAL 7035
Cable entries / Strain relief	strain relief bar for cable ties
Protection class acc. To IEC 60529	IP 30
Panel piercings	for ST, SC, SC Duplex, FC, E2000, DIN, LC Duplex
Assembly	Wall mounting with common screws; 239x165 mm, 4x DM4,5
Dimension: Width	265 mm
Dimension: Height	150 mm
Dimension: Depth	55 mm