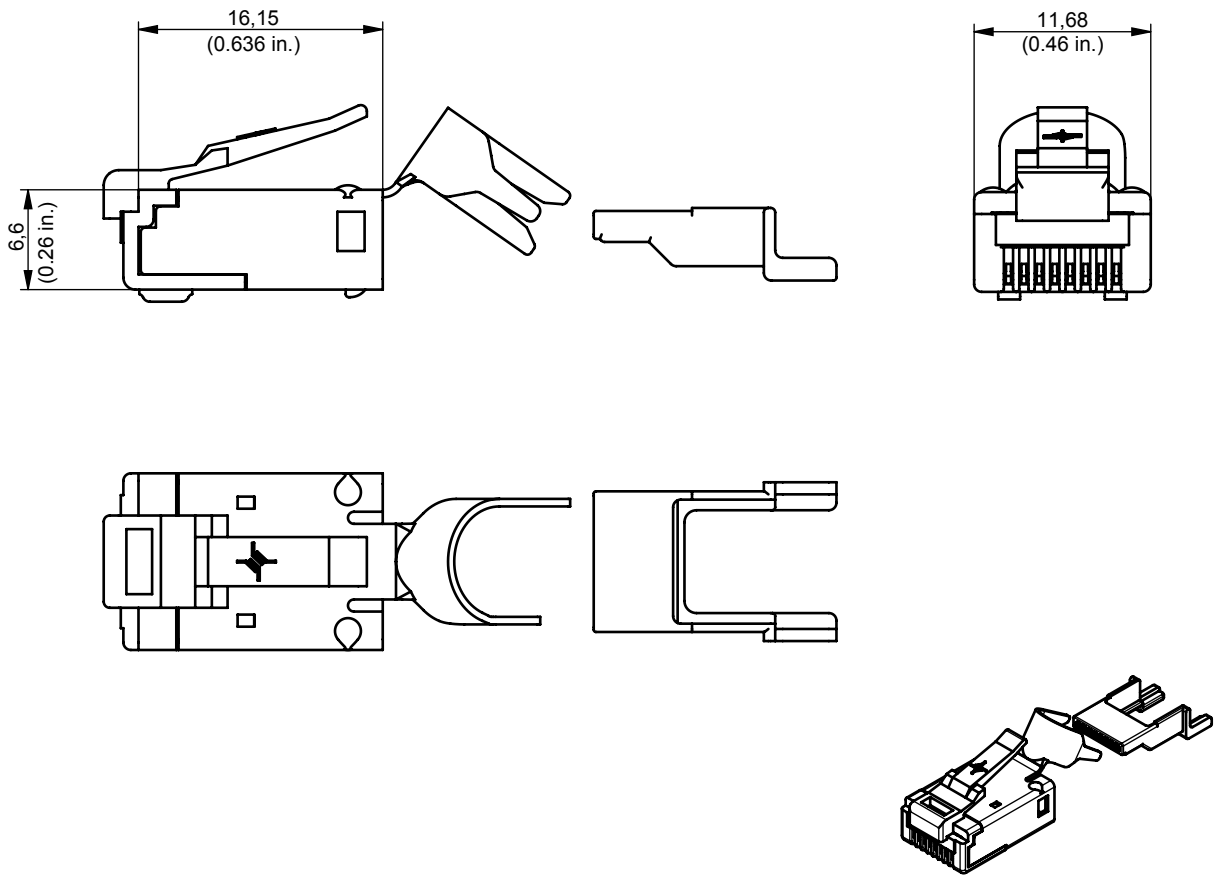


RJ45-Stecker MP8(8) FS Cat.6_A AWG27-24



Bestell-Nr. Order Nr.	Bezeichnung Description	Barcode EAN 13	VPE PU
J00026A0165	RJ45-Stecker MP8(8) FS Cat.6 _A AWG27-24	4018359314439	100

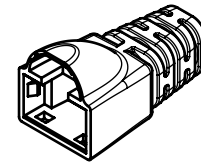
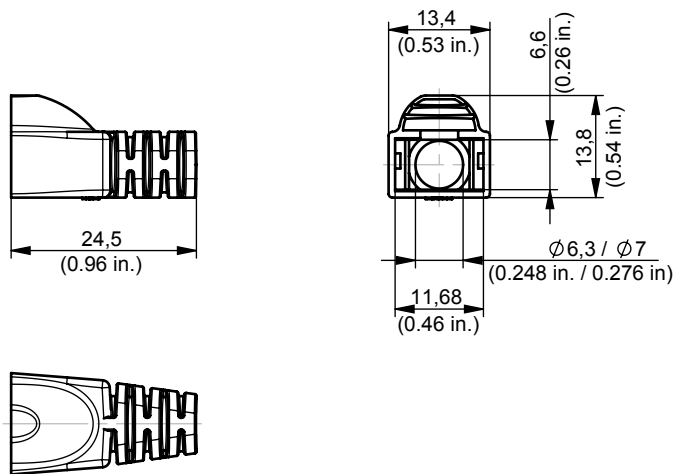
Bestell-Nr. Order Nr.	Verpackung Packing	VPE PU	Karton Carton	UPE OPU	Karton Carton	UPE OPU	Karton Outer carton
J00026A0165	100 pcs. in PE bag, one mounting information	100 pcs. in PE bag	-	1 PE bag in carton	180x140x45 [mm]	40 cartons in outer carton	500x380x300 [mm]

Montageanleitung siehe: www.telegaertner.com
Mounting instructions see: www.telegaertner.com

RJ45-Stecker MP8(8) FS Cat.6_A AWG27-24

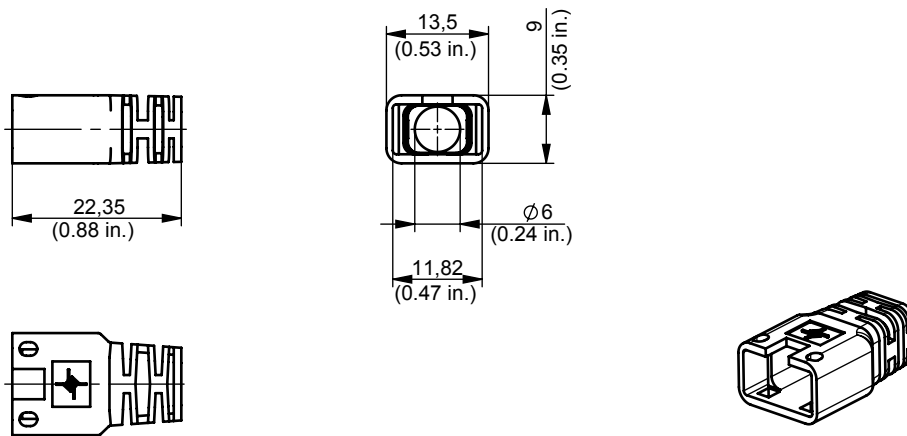
Optional

Bestell-Nr. Order Nr.	Bezeichnung Description	Barcode EAN 13	VPE PU
N00001A0002	Crimp tool professional	4018359227043	1 pc.

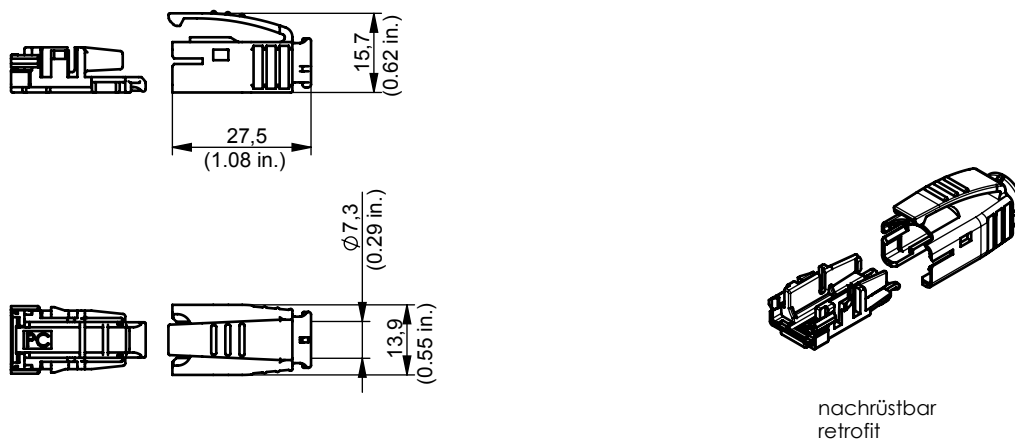


Bestell-Nr. Order Nr.	Bezeichnung Description	Barcode EAN 13	Farbe Colour	RAL	VPE PU
B00080A0089	Cable boot for MP8 FS \varnothing 6,3mm	4018359295677	grau / grey	RAL 7035	100 pcs. in PE bag
B00080B0089	Cable boot for MP8 FS \varnothing 6,3mm	4018359298791	rot / red	RAL 3018	100 pcs. in PE bag
B00080C0089	Cable boot for MP8 FS \varnothing 6,3mm	4018359298807	blau / blue	RAL 5015	100 pcs. in PE bag
B00080D0089	Cable boot for MP8 FS \varnothing 6,3mm	4018359298814	gelb / yellow	RAL 1018	100 pcs. in PE bag
B00080E0089	Cable boot for MP8 FS \varnothing 6,3mm	4018359298821	grün / green	RAL 6024	100 pcs. in PE bag
B00080F0089	Cable boot for MP8 FS \varnothing 6,3mm	4018359298838	schwarz / black	RAL 9011	100 pcs. in PE bag
B00080A0090	Cable boot for MP8 FS \varnothing 7,0mm	4018359301354	grau / grey	RAL 7035	100 pcs. in PE bag
B00080B0090	Cable boot for MP8 FS \varnothing 7,0mm	4018359301378	rot / red	RAL 3018	100 pcs. in PE bag
B00080C0090	Cable boot for MP8 FS \varnothing 7,0mm	4018359301385	blau / blue	RAL 5015	100 pcs. in PE bag
B00080D0090	Cable boot for MP8 FS \varnothing 7,0mm	4018359301392	gelb / yellow	RAL 1018	100 pcs. in PE bag
B00080E0090	Cable boot for MP8 FS \varnothing 7,0mm	4018359301408	grün / green	RAL 6024	100 pcs. in PE bag
B00080F0090	Cable boot for MP8 FS \varnothing 7,0mm	4018359301415	schwarz / black	RAL 9011	100 pcs. in PE bag

RJ45-Stecker MP8(8) FS Cat.6_A AWG27-24



Bestell-Nr. Order Nr.	Bezeichnung Description	Barcode EAN 13	Farbe Colour	RAL	VPE PU
B00081A0031	Cable boot for MP8 FS \varnothing 6,0mm	4018359174941	schwarz / black	RAL 9011	100 pcs. in PE bag
B00081B0031	Cable boot for MP8 FS \varnothing 6,0mm	4018359183608	rot / red	RAL 3018	100 pcs. in PE bag
B00081C0031	Cable boot for MP8 FS \varnothing 6,0mm	4018359183615	blau / blue	RAL 5015	100 pcs. in PE bag
B00081D0031	Cable boot for MP8 FS \varnothing 6,0mm	4018359183622	gelb / yellow	RAL 1003	100 pcs. in PE bag
B00081E0031	Cable boot for MP8 FS \varnothing 6,0mm	4018359183639	grün / green	RAL 6016	100 pcs. in PE bag



nachrüstbar
retrofit

Bestell-Nr. Ordner Nr.	Bezeichnung Description	Barcode EAN 13	Farbe Colour	RAL	VPE PU	UPE OPU	Karton Carton
H86011A0000	STX bend protection	4018359328528	weiß / white	RAL 9003	10 pcs. in PE bag	10 PE bags in carton	250x105x86 [mm]
H86011A0001	STX bend protection	4018359328535	grau / grey	RAL 7035	10 pcs. in PE bag	10 PE bags in carton	250x105x86 [mm]
H86011A0002	STX bend protection	4018359328542	orange / orange	RAL 2009	10 pcs. in PE bag	10 PE bags in carton	250x105x86 [mm]
H86011A0003	STX bend protection	4018359328559	blau / blue	RAL 5015	10 pcs. in PE bag	10 PE bags in carton	250x105x86 [mm]
H86011A0004	STX bend protection	4018359328566	gelb / yellow	RAL 1023	10 pcs. in PE bag	10 PE bags in carton	250x105x86 [mm]
H86011A0005	STX bend protection	4018359328573	grün / green	RAL 6017	10 pcs. in PE bag	10 PE bags in carton	250x105x86 [mm]
H86011A0006	STX bend protection	4018359328580	schwarz / black	RAL 9005	10 pcs. in PE bag	10 PE bags in carton	250x105x86 [mm]

RJ45-Stecker MP8(8) FS Cat.6_A AWG27-24



Technische Daten / Technical Data		
Steckverbinder-Norm	IEC 60603-7-51	Connector standard
Mechanische Eigenschaften		Mechanical Characteristics
Steckkraft	≤ 30 N	Insertion force
Lebensdauer	≥ 750	Life
Kabelabzugskraft	min. 89 N	Cable to plug tensile strength
Werkstoffe		Materials
Steckergehäuse	PC UL94 V0 glasklar / crystal clear	Connector housing
Adernvorsortierung	PC UL94 V0 glasklar / crystal clear	Wire presorting
Schirmblech	Messing vernickelt / brass Ni plated	Shield
Kontakte	Phosphor Bronze / phosphor bronze	Contacts
Richtlinie 2011/65/EU (RoHS)	RoHS-konform / RoHS-compliant	Directive 2011/65/EU (RoHS)
Adernanschluss		Wire connection
Cu-Leiterdurchmesser	Massiv / solid 0,4 - 0,51 mm AWG26/1 - AWG24/1 Litze / stranded 0,46 - 0,61 mm AWG27/7 - AWG24/7	Cu-conductor diameter
Aderndurchmesser	0,85 - 1,05 mm	Core diameter
Kabeldurchmesser	5,5 - 7,3 mm	Cable diameter

RJ45-Stecker MP8(8) FS Cat.6_A AWG27-24



Technische Daten / Technical Data		
Umweltanforderungen		Environmental Requirements
Schutz vor Eindringen		Protection against ingress
Eindringen von Teilchen	IP2X	Particulate ingress
Wasser / Untertauchen	IPX0	Water / Immersion
Klimatisch und chemisch		Climatical and chemical
Umgebungstemperatur	-40°C bis / to +70°C	Ambient temperature
Elektrische Eigenschaften		Electrical Characteristics
Kontaktwiderstand	≤ 20 mΩ	Contact resistance
Isolationswiderstand	≥ 500 MΩ	Insulation resistance
Spannungsfestigkeit		Voltage proof
Kontakt-Kontakt	≥ 1000 V, DC	Contact-Contact
Kontakt-Schirm	≥ 1500 V, DC	Contact-shield
Strombelastbarkeit bei 50°C	1 A	Current carrying capacity at 50°C
PoE+ gemäß IEEE 802.3at	Geeignet für Power over Ethernet+ Adequate for Power over Ethernet+	PoE+ according to IEEE 802.3at
Übertragungstechnische Eigenschaften*		Transmission Performance*
10 Gigabit Ethernet gemäß IEEE 802.3an	Geeignet für 10 Gigabit Ethernet Adequate for 10 Gigabit Ethernet	10 Gigabit Ethernet acc. to IEEE 802.3an
Kategorie 6 _A	ISO/IEC 11801; DIN EN 50173-1	Category 6 _A
Klasse E _A	ISO/IEC 11801; DIN EN 50173-1	Class E _A
Kategorie 6A	ANSI/TIA/EIA-568-C.2	Category 6A
Normen		Standards
IP-Schutzarten	IEC 60529	Degrees of protection provided by enclosures (IP code)
Anwendungsneutrale Kommunikationsanlagen	ANSI/TIA/EIA-568-C.2; ISO/IEC 11801; DIN EN 50173-1	Generic cable systems
Zulassung		Approval
UL Recognized Component	E244889	UL Recognized Component

*Für alle aufgeführten Standards gelten die aktuellen und publizierten Ausgabestände zum Zeitpunkt der Erstellung des Datenblattes.
The versions of the aforementioned standards current at the time the data-sheet was created are valid.