

order number: J00026A0182

RJ45 plug MP8(8), short wire presorting

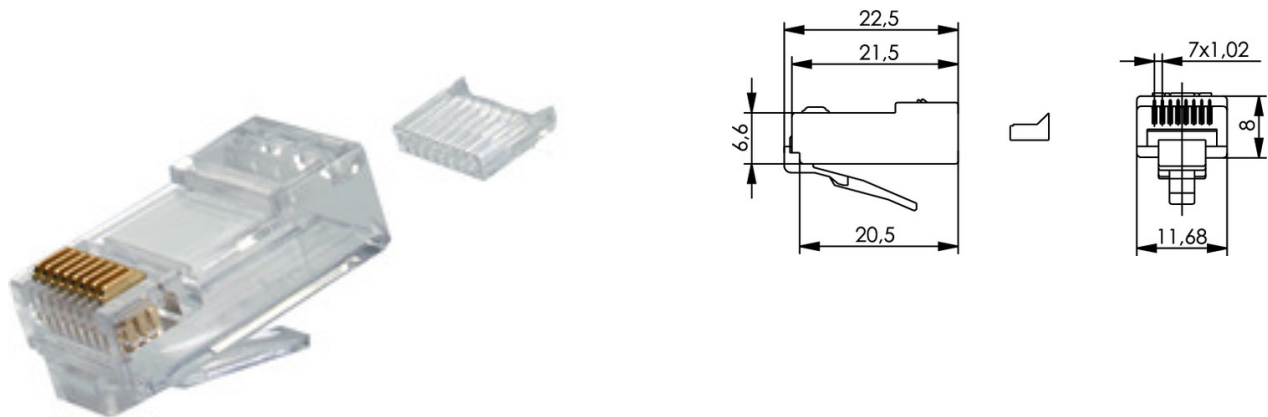


Fig. may differ

Technical Attributes	
Short name	MP8(8) Cat.6, short wire presorting
Remarks	8-way, unshielded with wire presorting; AWG 24-26 (stranded and solid); please order cable boot separately

### Performance Characteristics

- pre-assembled protection cap
- robust zinc diecast housing
- 360° shielding
- full metal shielding between pairs of wires
- three strain relief settings (cable diameters 5.0 mm to 9.0 mm)
- can be assembled in 60 seconds without any special tools
- optimised for the field, including demanding applications
- secure transmission even with outside interference
- four-chamber wire manager (available with colour code T568A or T568B and PROFINET)
- suitable for cabling in office buildings, data centers, industrial facilities and home networks
- supreme reliability
- ideal for network repairs, special lengths and extensions
- piercing contacts suitable for solid and stranded conductors

Mechanical Characteristics	
Insertion force	≤ 20 N
	≥ 750

Durability (Steckungen)	
Reusable contacts	≤4 cycles
Cu-Conductor diameter: solid	0.51 - 0.64 mm (AWG24/1-22/1)
Cu-Conductor diameter: stranded	0.46 - 0.61 mm (AWG27/7 - 24/7)
Mating Requirements Cu-Conductor diameter: stranded	0.61 - 0.78 mm (AWG24-22/19)
Core Diameter	0,8 - 1,0 mm
Mating Requirements Cu-Conductor diameter: solid	0.4 - 0.51 mm (AWG26/1 - 24/1)
Mating Requirements Cu-Conductor diameter: stranded	0.46 - 0.61 mm (AWG27/7 - 24/7)
Overall cable diameter	3,2 - 5,5 mm
Crimp tool	N00001A0011
Material: contacts	Phosphorbronze
Material: PCB	FR4 UL 94 V0
Material: piercing contacts	phosphor bronze tinned
Material: shield contact	brass, nickel-plated
Material: wire pair presorting	PC UL94 V0 white
Material: uplock hook	PBT UL94 V0
Material: shielding housing	zinc diecast, nickel-plated
Material: cable clamp	PBT UL94 V0
Material: protection cap	PBT UL94 V0
Material: contacts	phosphor bronze
Material: connector housing	PC UL94 V0
Material: insertion	PC UL94 V0

#### Climatic Characteristics

UL	E244889
Temperature range [°C]	-40/ 70

#### Electrical Characteristics

--	--

PoE+ acc to IEEE 802.3at	Adequate for Power over Ethernet+
Current carrying capacity at 50°C	1 A

Standards	
Connectors	IEC 60603-7-2

10 Gigabit Ethernet acc. to IEEE 802.3an	Adequate for 10 Gigabit Ethernet
Gigabit Ethernet acc. to IEEE 802.3	Adequate for Gigabit Ethernet