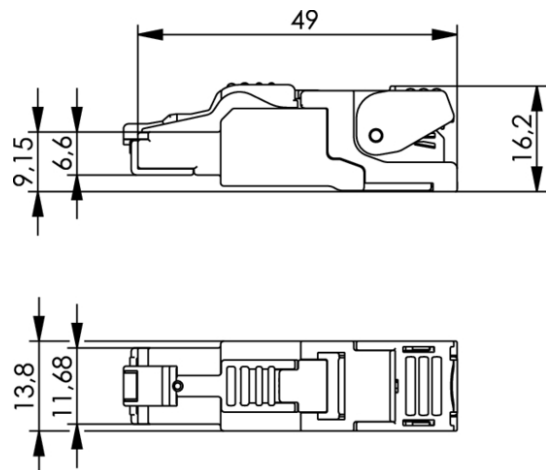


order number: J00026A2111

field assembly RJ45 plug MFP8 T568 B Cat.6_A, AWG24/1-AWG22/1, AWG27/7-AWG22/7, blister package (10 pcs.)



Technical Attributes	
Short name	MFP8 T568 B Cat.6 _A
Remarks	AWG 24/1-22/1, AWG 27/7-22/7, incl. pre-assembled protection cap
Type	blister package (10 pcs.)

Performance Characteristics

- pre-assembled protection cap
- robust zinc diecast housing
- 360° shielding
- full metal shielding between pairs of wires
- three strain relief settings (cable diameters 5.0 mm to 9.0 mm)
- can be assembled in 60 seconds without any special tools
- optimised for the field, including demanding applications
- secure transmission even with outside interference
- four-chamber wire manager (available with colour code T568A or T568B and PROFINET)
- suitable for cabling in office buildings, data centers, industrial facilities and home networks
- supreme reliability

- ideal for network repairs, special lengths and extensions
- piercing contacts suitable for solid and stranded conductors

Mechanical Characteristics	
Insertion force	≤ 30N
Durability (mating cycles)	≥ 750
Reusable contacts	≤4 cycles
Material: contacts	spring steel
Material: contact finish	Ni1,2Au0,8
Material: connector housing	PC UL94 V0
Material: PCB	FR4 UL 94 V0
Material: piercing contacts	phosphor bronze tinned
Material: shield contact	brass, nickel-plated
Material: wire pair presorting	PC UL94 V0 white
Material: uplock hook	PBT UL94 V0
Material: shielding housing	zinc diecast, nickel-plated
Material: cable clamp	PBT UL94 V0
Material: protection cap	PBT UL94 V0
Mating Requirements Cu-Conductor diameter: solid	0.51 - 0.64 mm (AWG24/1-22/1)
Mating Requirements Cu-Conductor diameter: stranded	0.46 - 0.76 mm (AWG27/7-22/7)
Mating Requirements Cu-Conductor diameter: stranded*	0.61 - 0.78 mm (AWG24-22/19)
Core Diameter	1.0 - 1.6 mm
Overall cable diameter	5.0 - 9.0 mm

Climatic Characteristics	
Temperature range [°C]	-40°C to +85°C
UL	E244889

Electrical Characteristics	
Current carrying capacity at 50°C	1 A

PoE+ acc to IEEE 802.3at	Adequate for Power over Ethernet+
Standards	
Connectors	IEC 60603-7-51
Transmission Characteristics	
10 Gigabit Ethernet acc. to IEEE 802.3an	Adequate for 10 Gigabit Ethernet