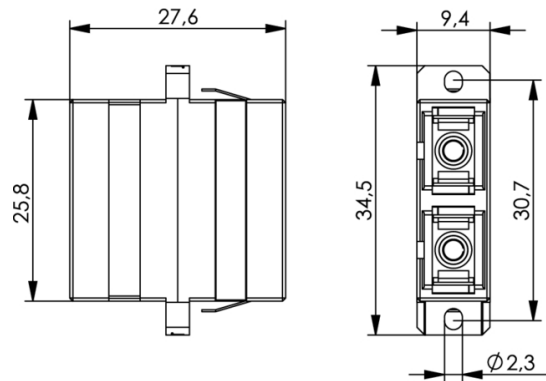


order number: J08081A0002

SC Duplex Adaptor, Multimode and Singlemode, Ceramic sleeve, Plastic housing, incl. tapping screws



Technical Attributes	
Description	SC Duplex Adaptor, Multimode and Singlemode, Ceramic sleeve, Plastic housing, incl. tapping screws
Installation	Snap-in or screw mounting
Mount. dim.	Z93
Housing Colour	blue

### Product description

Durable, precise and reliable: Telegärtner fiber optic connectors with ferrule and coupling sleeve made of zirconia ceramics exceed the specifications of the relevant international standards. The APC types (Angled Physical Contact) with 8° angled polished ferrules offer return loss values of more than 60 dB and meet highest expectations.

### Performance Characteristics

- Available for Singlemode and Multimode
- For 0.9 mm fibers and 3.2 mm cordage
- Multimode 50 µ, 62,5 µ, 200 µ and 980 µ
- Singlemode 9 µ

Mechanical Characteristics	
Type	
Durability (mating cycles)	≥ 1000; POF/PCF: ≥ 500
Hex crimp size for strain relief	4.52 x 10 mm

Strain relief	≥100 N
Material: connector ferrule	Zirkonia ceramic, POF: german silver , PCF: nickel
Material: adaptor split sleeve	Zirkonia ceramic or phosphor bronze
Material: connector body	copper alloy, nickel-plated
Material: plug housing, boot, dust caps	thermoplastic, flame retardant, non halogen
Material: adaptor housing	thermoplastic, flame retardant, non halogen, or zinc diecast, nickel-plated
Material: retaining clip (adaptor)	stainless steel
Colour: connector housing / adaptor housing	Multimode: beige, blue, aqua, black, purple; Singlemode: blue; Singlemode APC: green; POF: yellow; PCF: red

Climatic Characteristics	
Operating temperature in °C	-20° to 80° C
Storage temperature in °C	-40° to 90° C

Optical Characteristics	
Insertion loss: plug (factory assembly)	Multimode: max. 0.4 dB <sup>1</sup> ; Singlemode/Singlemode APC: max. 0.5 dB <sup>1</sup> ; POF: 1.5 dB; PCF: 1.0 dB
Insertion loss: Adaptor	Multimode/Singlemode: max. 0.2 dB <sup>1</sup> ; Singlemode APC: 0.2 dB <sup>1</sup>
Return loss: plug (factory assembly)	Multimode: min. 30 dB <sup>2</sup> ; Singlemode: min. 40 dB <sup>2</sup> ; Singlemode APC: min. 60 dB <sup>2</sup>