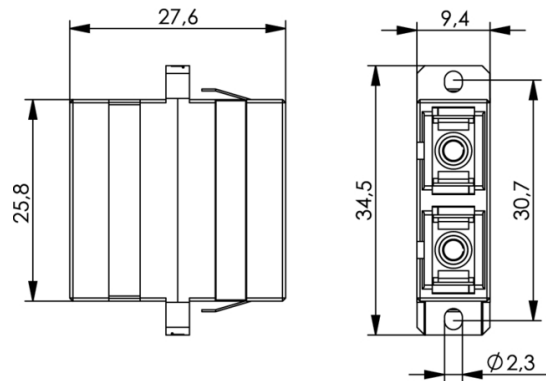


order number: J08081A0034

SC Duplex adaptor, multimode, ceramic sleeve, plastic housing, incl.tapping screws



Technical Attributes	
Description	SC Duplex adaptor, multimode, ceramic sleeve, plastic housing, incl.tapping screws
Installation	Snap-in or screw mounting
Mount. dim.	Z93
Housing Colour	aqua

Product description

Durable, precise and reliable: Telegärtner fiber optic connectors with ferrule and coupling sleeve made of zirconia ceramics exceed the specifications of the relevant international standards. The APC types (Angled Physical Contact) with 8° angled polished ferrules offer return loss values of more than 60 dB and meet highest expectations.

Performance Characteristics

- Available for Singlemode and Multimode
- For 0.9 mm fibers and 3.2 mm cordage
- Multimode 50 µ, 62,5 µ, 200 µ and 980 µ
- Singlemode 9 µ

Mechanical Characteristics	
Type	
Durability (mating cycles)	≥ 1000; POF/PCF: ≥ 500
Hex crimp size for strain relief	4.52 x 10 mm

Strain relief	≥100 N
Material: connector ferrule	Zirkonia ceramic, POF: german silver , PCF: nickel
Material: adaptor split sleeve	Zirkonia ceramic or phosphor bronze
Material: connector body	copper alloy, nickel-plated
Material: plug housing, boot, dust caps	thermoplastic, flame retardant, non halogen
Material: adaptor housing	thermoplastic, flame retardant, non halogen, or zinc diecast, nickel-plated
Material: retaining clip (adaptor)	stainless steel
Colour: connector housing / adaptor housing	Multimode: beige, blue, aqua, black, purple; Singlemode: blue; Singlemode APC: green; POF: yellow; PCF: red

Climatic Characteristics	
Operating temperature in °C	-20° to 80° C
Storage temperature in °C	-40° to 90° C

Optical Characteristics	
Insertion loss: plug (factory assembly)	Multimode: max. 0.4 dB ¹ ; Singlemode/Singlemode APC: max. 0.5 dB ¹ ; POF: 1.5 dB; PCF: 1.0 dB
Insertion loss: Adaptor	Multimode/Singlemode: max. 0.2 dB ¹ ; Singlemode APC: 0.2 dB ¹
Return loss: plug (factory assembly)	Multimode: min. 30 dB ² ; Singlemode: min. 40 dB ² ; Singlemode APC: min. 60 dB ²